

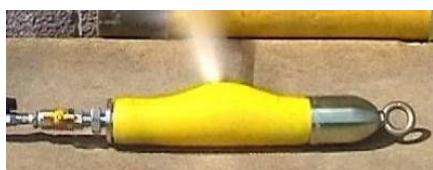
MUDTIGHT GOLD™ SEALED EXPANDING TOWING HEAD



Comparison with standard towing head.



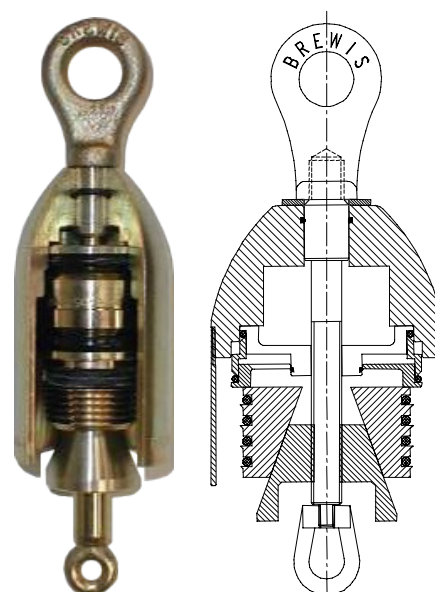
Patented 3-part sealing cartridge for SDR 11 and 17.6.



Pressure testing.



Tensile testing.



THE ULTIMATE TOWING HEAD

Mudtight Gold provides a quick and easy way to attach a pulling eye to the end of a polyethylene pipe and at the same time seal the end of the pipe to keep the inside clean.

Simply slide into the pipe and turn the pulling eye to expand the grippers. The harder the pulling force the harder the gripping force. Unscrew the pulling eye to remove.

Specifically designed for trenchless technology applications such as horizontal directional drilling.

BENEFITS

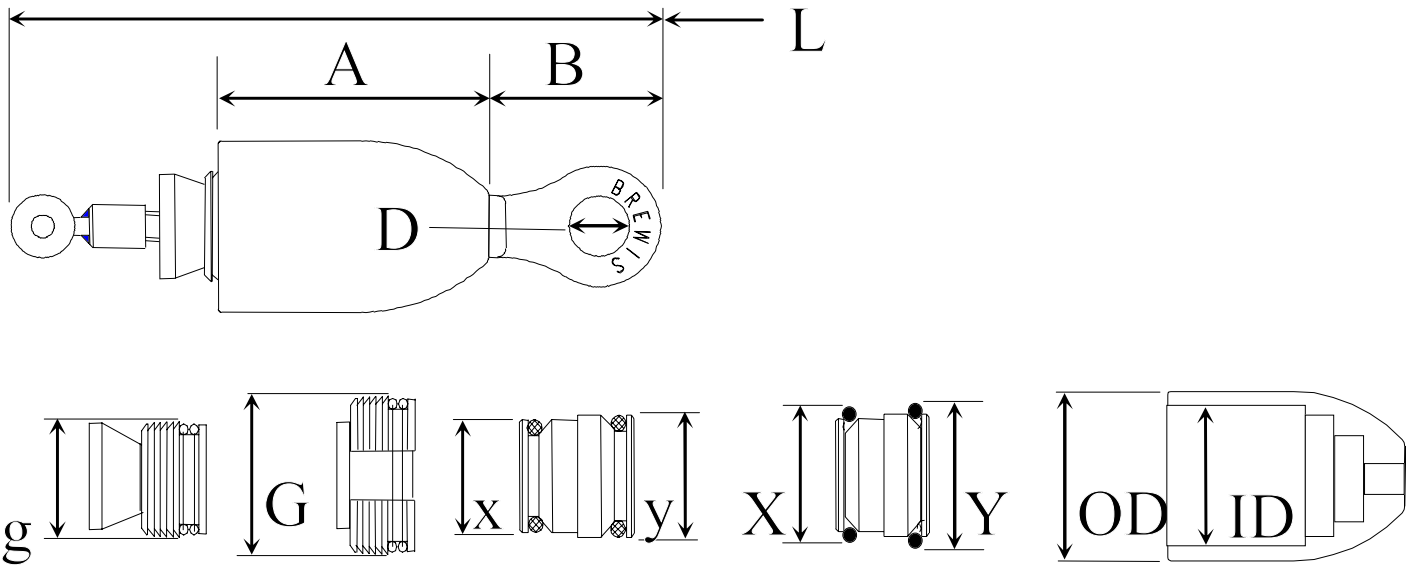
- Minimal increase in outside diameter means bore size can be kept down.
- Patented seal on the inside of the pipe seals both SDR11 & 17.6
- Tensile tested to the yield strength of the pipe.*
- Pressure tight to pipe bursting.*
- Protects the end of the pipe.
- Rear eye to retain the tail.
- Available from 32mm to 355mm ex stock.
- Quick and easy to fit, saves time & eliminates the need to clean out afterwards.

* Dependent on size and prevailing conditions.

AUSTRALIA
03 9068 5688
+61 3 9068 5688
sales@blick.group
www.blick.group

NEW ZEALAND
07 849 2366
+64 7 849 2366
sales@blick.group
www.blick.group





Size	L	A	B	D	g	G	x	X	y	Y	OD	ID	KG
Metric	Overall Length	Nose Length	Eyebolt Length	Eye Ø	Min Grip	Max Grip	Min Seal Ø	Max Seal Ø	Min Seal Ø	Max Seal Ø	Outside Ø	Inside Ø	
32mm	183	77.0	38.0	19.0	24.8	28.0	24.7	28.0	*	*	37.7	32.7	0.5
40mm	205	89.5	56.0	20.0	30.9	40.0	30.9	34.0**	*	*	47.8	40.8	0.9
50mm	215	106.0	56.0	20.0	37.2	44.6	39.1	44.0	42.9	46.0	57.8	50.8	1.3
63mm	249	127.0	60.0	30.0	48.0	60.0	49.5	54.0	53.7	57.0	72.0	63.8	2.4
75mm	249	125.0	60.0	30.0	58.4	73.0	58.9	64.1	64.1	68.0	84.9	75.9	3.3
90mm	355	138.0	105.0	38.0	70.6	81.0	71.1	76.0	77.1	81.0	100.0	91.0	6.1
110mm	355	155.0	105.0	38.0	87.0	99.0	87.1	91.0	95.7	99.0	120.0	111.5	9.1
125mm	355	165.5	105.0	38.0	98.6	109.0	99.1	104.0	107.7	111.4	139.7	127.0	9.7
140mm	355	157.5	105.0	38.0	110.0	123.0	111.2	115.0	121.4	126.0	151.5	142.6	10.6
160mm	484	219.0	145.0	45.0	124.4	146.0	126.9	132.0	137.6	142.0	171.0	162.0	18.4
180mm	484	235.0	145.0	45.0	143.0	162.0	142.6	150.0	156.2	161.0	197.0	184.0	23.0
200mm	520	272.0	145.0	45.0	157.0	180.0	156.6	166.0	170.6	180.0	217.0	204.0	27.0
225mm	558	284.5	145.0	45.0	178.0	205.0	177.0	186.0	192.5	200.8	243.0	229.0	30.0
250mm	558	300.0	145.0	45.0	198.0	228.0	197.0	207.0	216.0	224.0	268.0	253.5	40.0
280mm	615	317.5	145.0	45.0	222.0	251.0	221.0	230.0	242.5	251.0	299.6	283.6	60.0
315mm	685	340.5	160.0	72.0	250.0	285.0	249.0	262.0	273.0	285.0	335.0	319.0	75.0
355mm	685	334.5	160.0	72.0	280.0	320.0	280.0	293.0	307.0	318.0	376.0	359.5	80.0

Full range of IPS sizes also available.

Brewis reserves the right to amend the specifications without notice. E&OE.

AUSTRALIA
03 9068 5688
 +61 3 9068 5688
 sales@blick.group
 www.blick.group

NEW ZEALAND
07 849 2366
 +64 7 849 2366
 sales@blick.group
 www.blick.group

