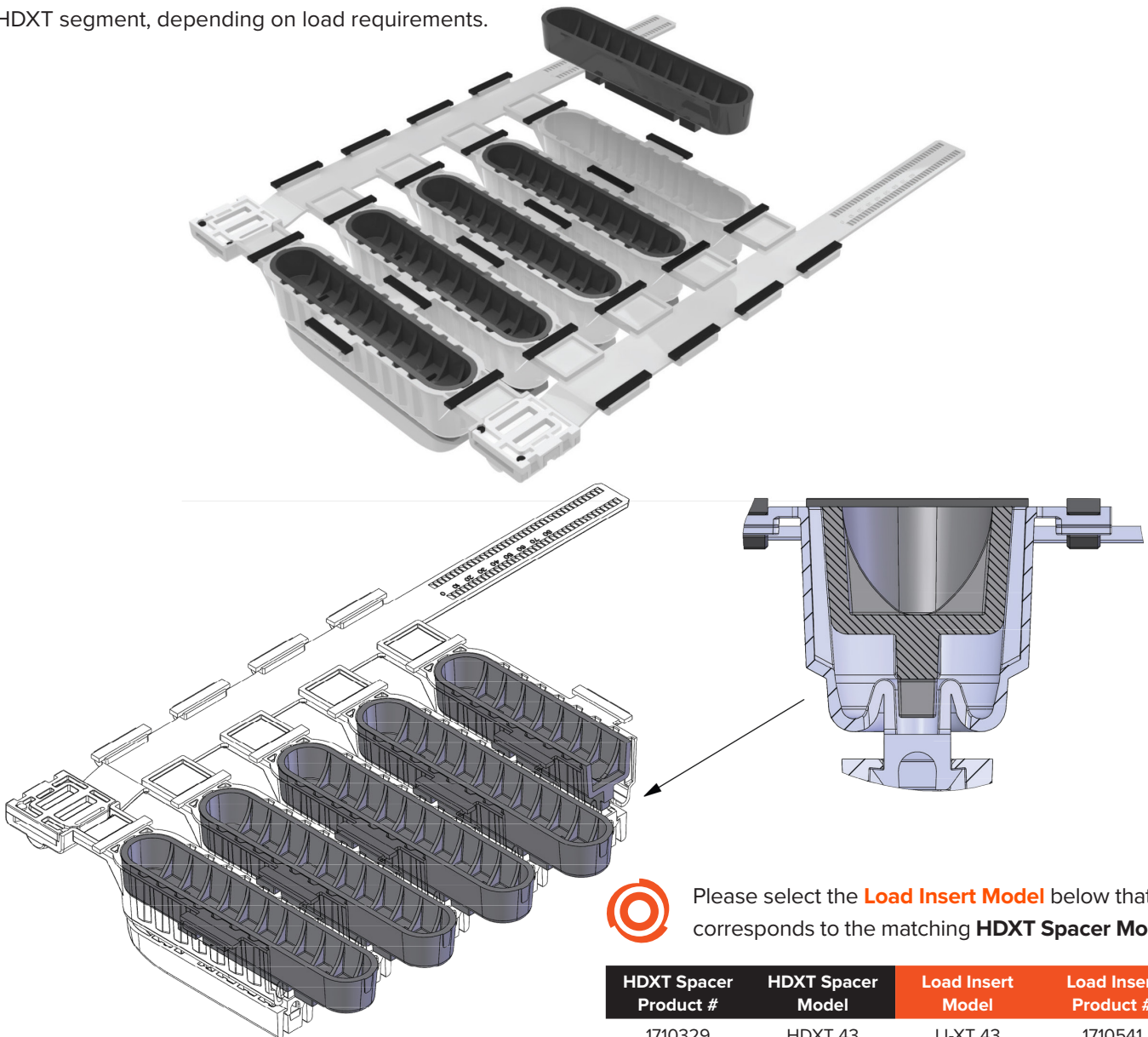


HDXT LOAD INSERT INSTALLATION

- HDXT Load Inserts are designed to boost the load capacity of the HDXT Spacer System if required for very heavy applications.
- They also allow HDXT spacers to continue to carry heavy loads at elevated temperatures.
- HDXT Load Inserts can be used in either in every runner, or just in the centre and outer runners on each HDXT segment, depending on load requirements.

- Align load insert as shown with the cavity on the underside of the runner.
- Press firmly into place until flush with the runner.
- Please contact Blick for further information.



Please select the **Load Insert Model** below that corresponds to the matching **HDXT Spacer Model**.

HDXT Spacer Product #	HDXT Spacer Model	Load Insert Model	Load Insert Product #
1710329	HDXT 43	LI-XT 43	1710541
1710330	HDXT 63	LI-XT 63	1710542
1710331	HDXT 103	LI-XT 103	1710543
1710206	HDXT 153	LI-XT 153	1710540

For more information, talk to us today

AUSTRALIA
03 9068 5688

NEW ZEALAND
07 849 2366

sales@blick.group
www.blick.group